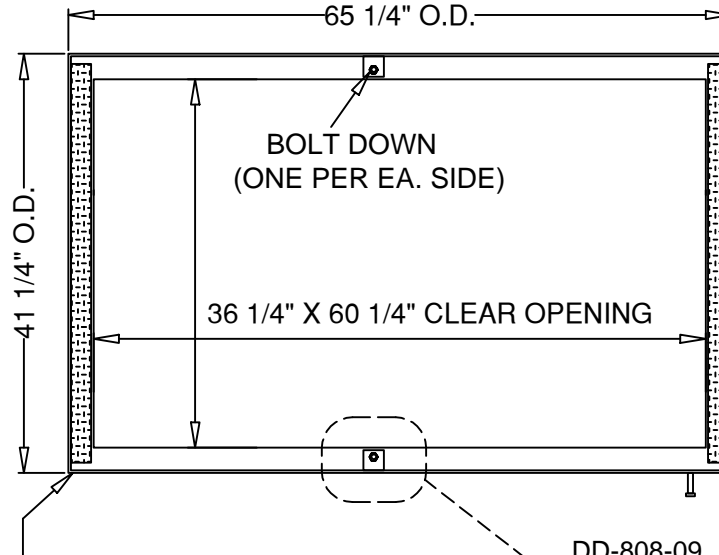
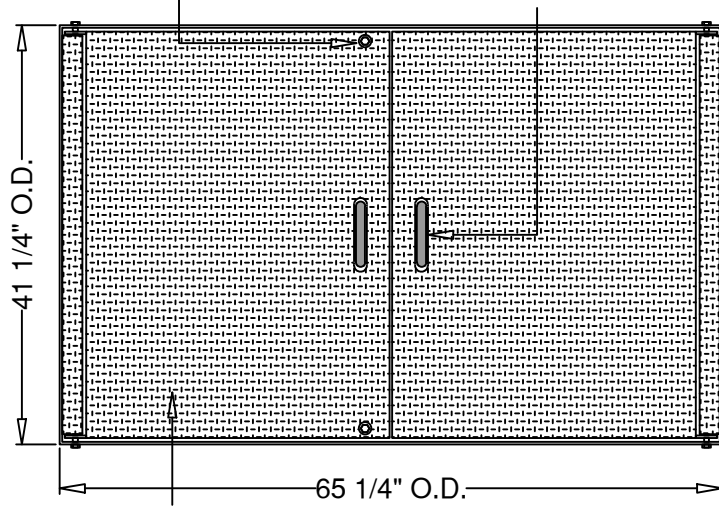
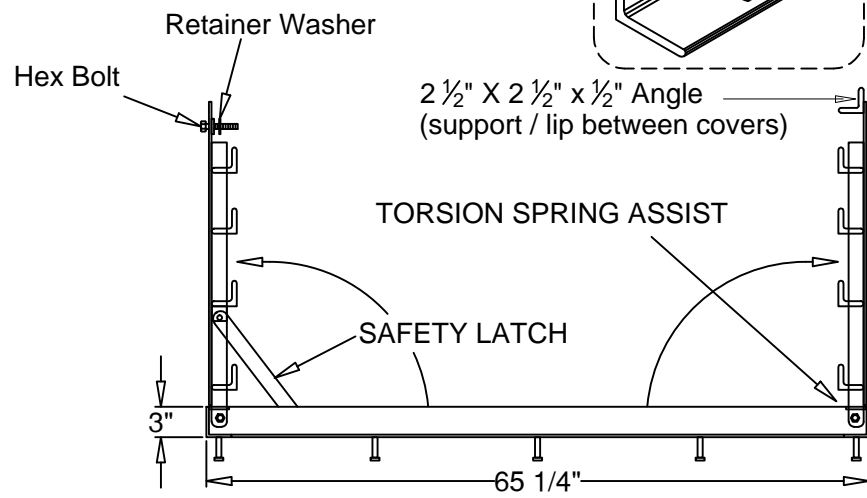
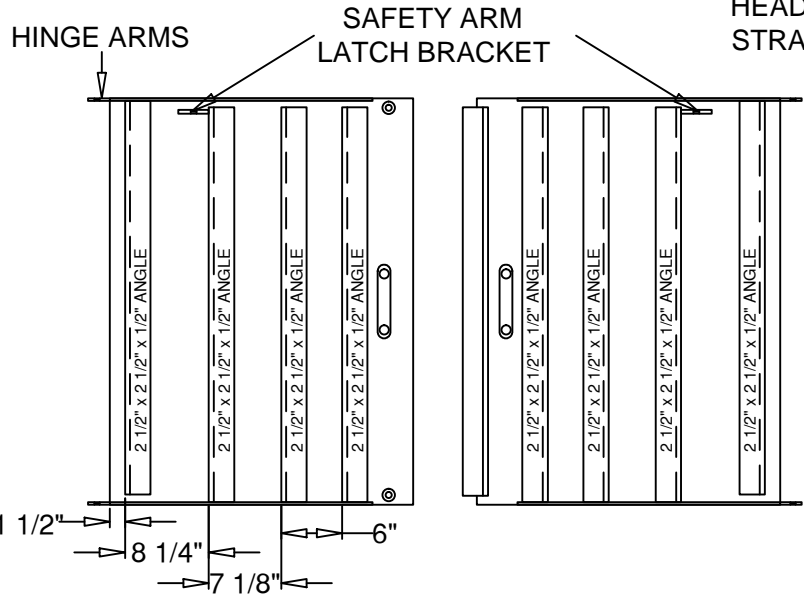
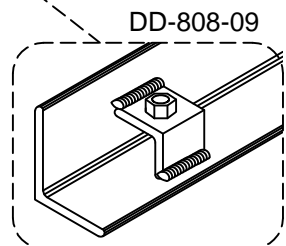


BOLT DOWN SHOWN
(TWO PER LEAF) (2) 5/8" Dia. (formed Drop Handle)



3" X 2 1/2" X 1/4" ANGLE FRAME w/ 1/2" x 2" HEADED NELSON STUDS WELDED STRAIGHT FROM BOTTOM OF FRAME @ 16" O.C.



Note:
1. Galvanized A-36 Steel
2. H-20 Loading
3. Torsion Spring Assist
4. Galvanized Bolts & Hardware

Galvanized Steel Frame and Cover
3 x 5 H20 Frame & Cover
K&B Steel
E-Mail: kbsteel@valornet.com
525 Industrial Blvd. Clarksville, Texas 75426
Phone: (903) 427-3980 FAX: (903) 427-5817



(Date: 05-10-22)